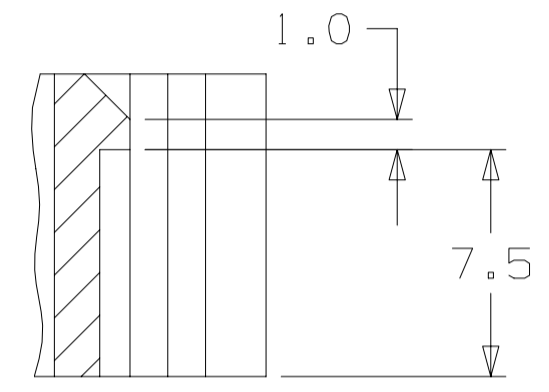
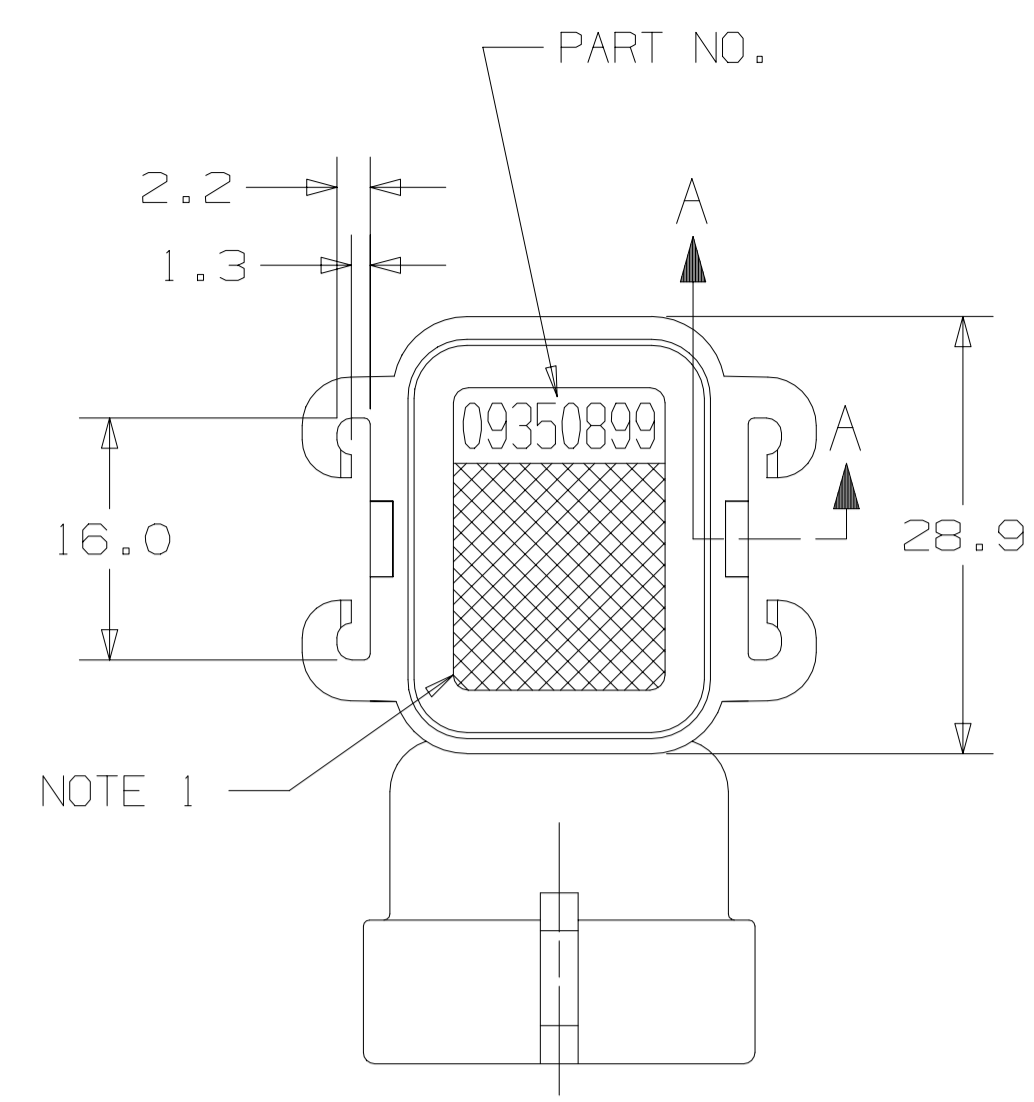
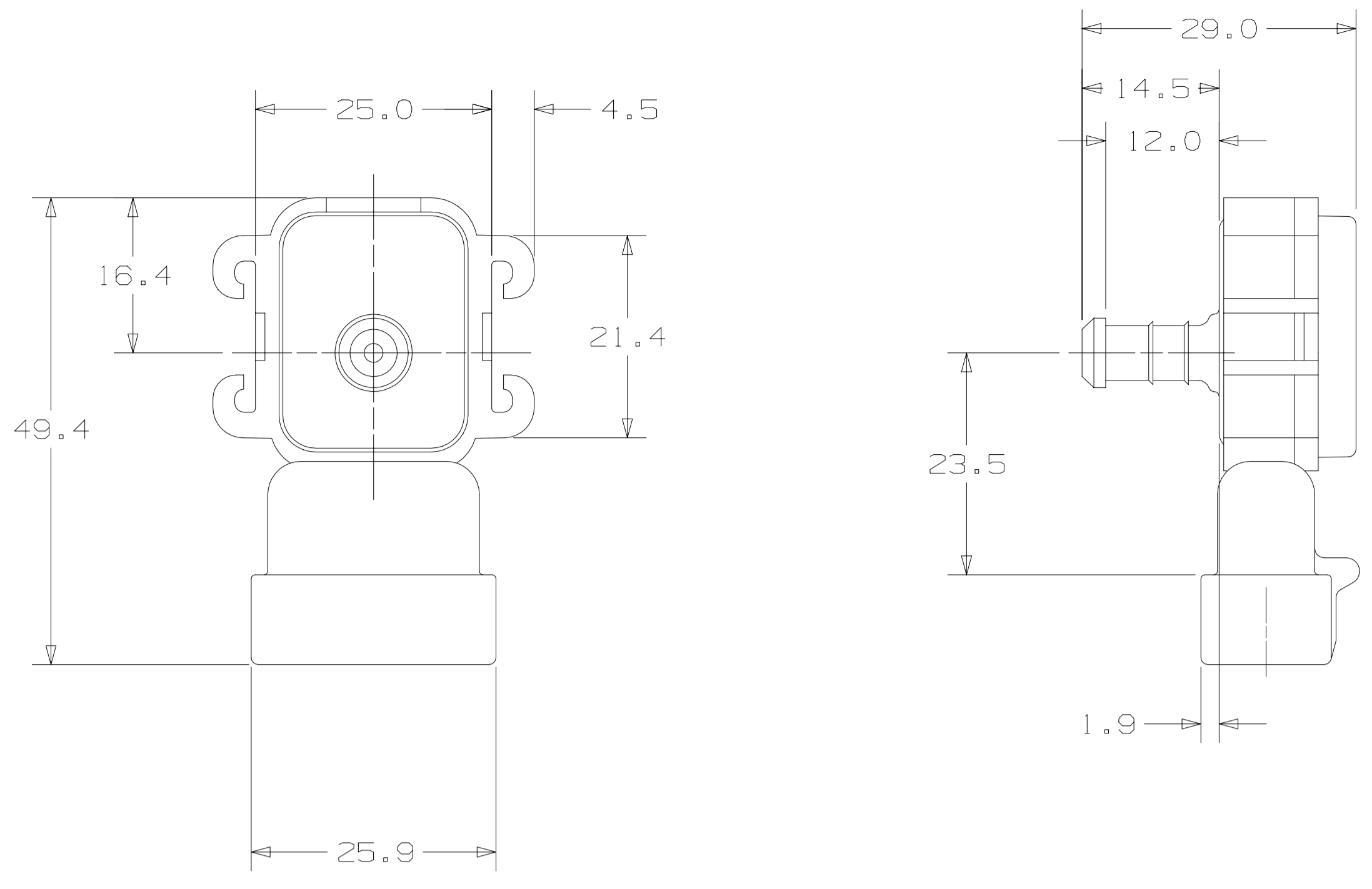
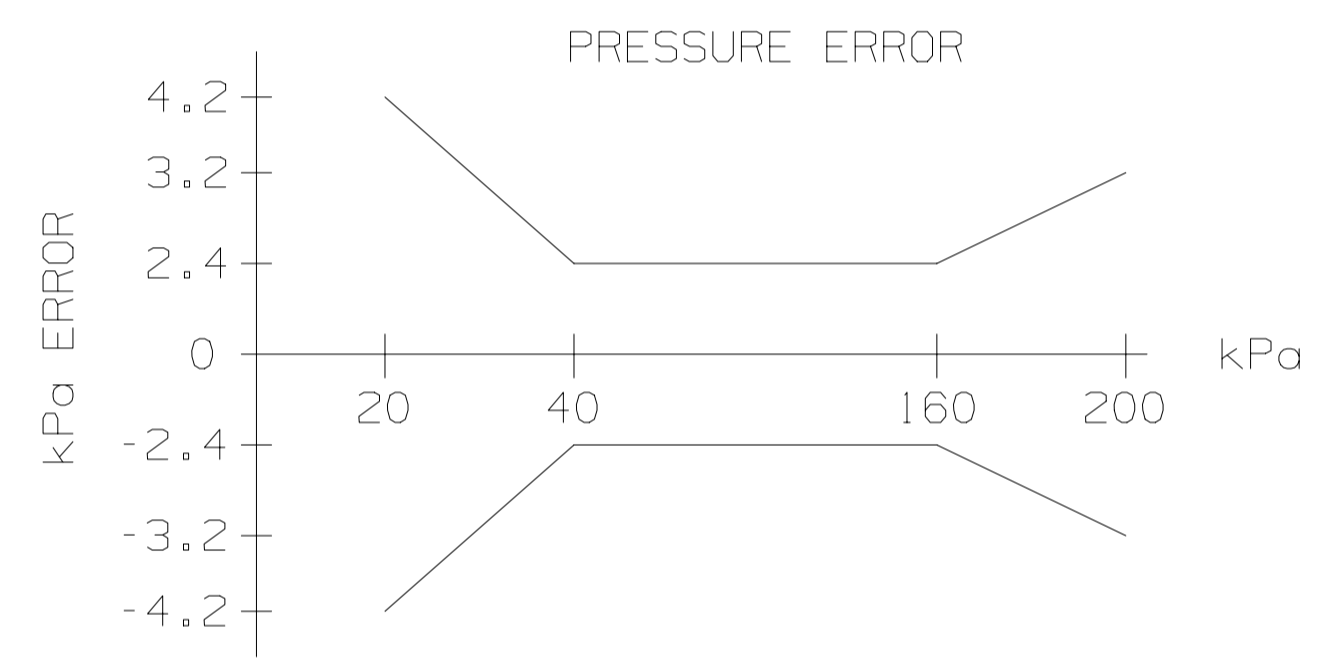
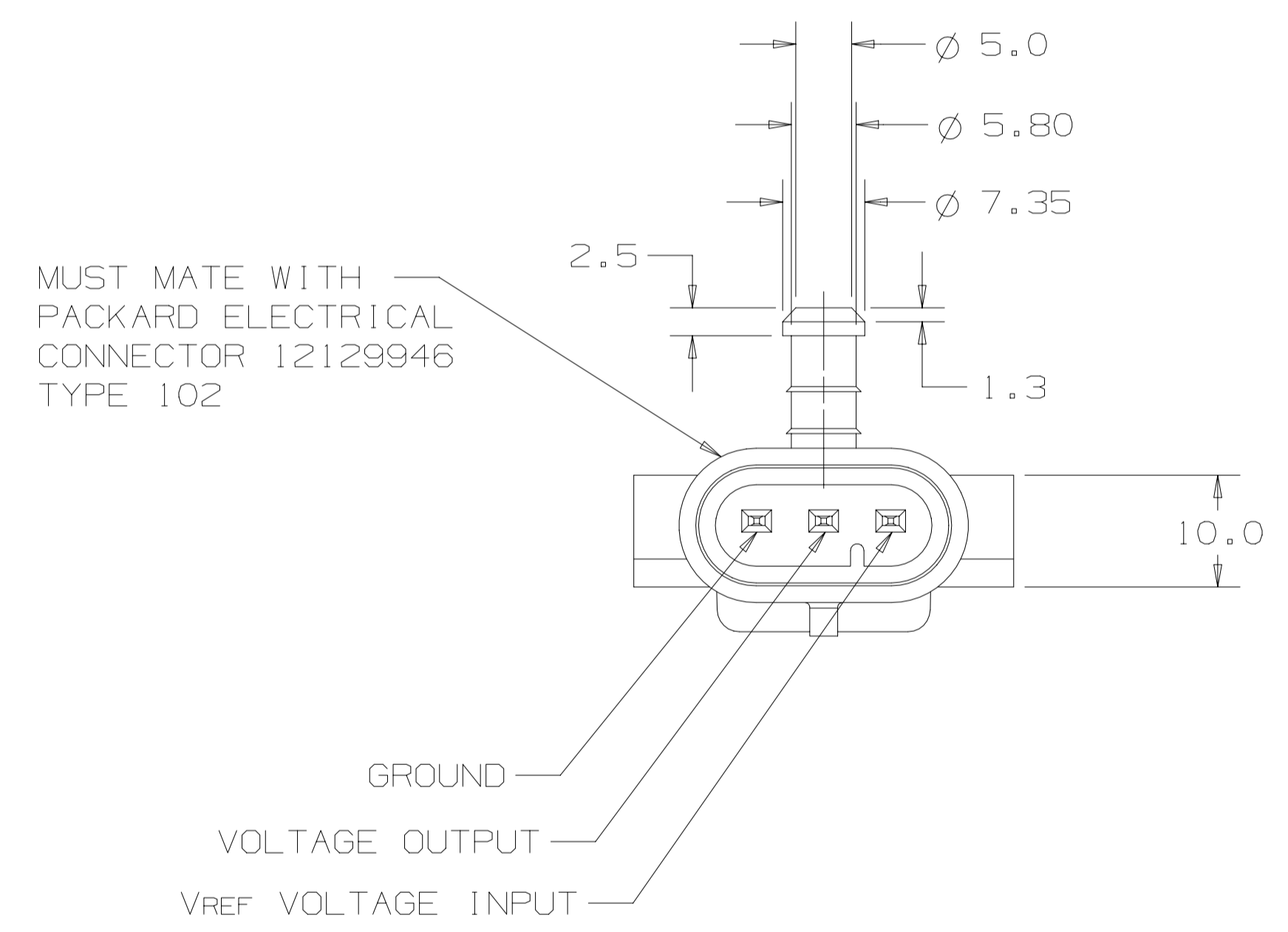


DATE	SYM	REVISION RECORD	AUTHORITY	CUST AUTHORITY	DR.	CK.	APVD
11JA01	A	RELEASED-PRODUCTION	152276	-	-	-	-
28FEO2	B	EMI CAP CHANGE 0.022µF TO 0.1µF & NOTE 1 PER CNB9	155089	-	JEM	FF	GS

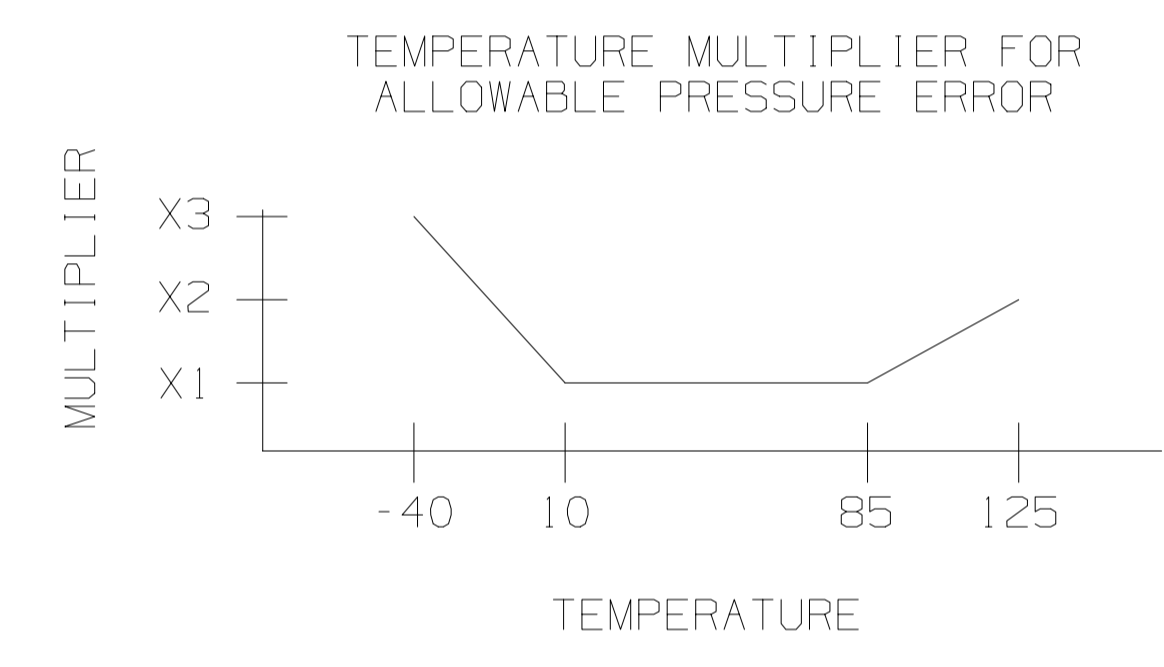


SECTION A-A
SCALE 4/1



PRESSURE ERROR IN kPa

INPUT PRESSURE	ALLOWABLE ERROR
20	+/-4.2
40	+/-2.4
160	+/-2.4
200	+/-3.2



TEMPERATURE MULTIPLIER FOR ALLOWABLE PRESSURE ERROR

TEMPERATURE	MULTIPLIER
-40	3
10	1
85	1
125	2

1. LABEL: LABEL MAY CONTAIN BUT NOT LIMITED TO INFORMATION SUCH AS PIN OUT, COUNTRY OF ORIGIN, DATE CODE, TRACEABILITY INFORMATION.

1.1 DATE CODE: FIRST DIGIT REPRESENTS THE YEAR AND LAST THREE DIGITS REPRESENT THE DAY OF THE YEAR.

2. $V_{out} = V_{REF} (0.005 \cdot P - 0.04)$

$V_{out} = 5.0 \pm 0.1$ VOLTS

P = PRESSURE IN kPa

WITH PART @ +25°C AND SUPPLY VOLTAGE @ 5.0V THE OUTPUT VOLTAGE (V_{out}) SHALL BE:

P = 20 kPa - $V_{out} = 0.195 - 0.405$

P = 40 kPa - $V_{out} = 0.74 - 0.86$

P = 160 kPa - $V_{out} = 3.74 - 3.86$

P = 200 kPa - $V_{out} = 4.72 - 4.88$

3. RECOMMENDED MOUNTING PROCEDURE FOR THE PRESSURE SENSOR IS TO HAVE THE PORT POINTING DOWN WITHIN 30° OF VERTICAL. THE PRESSURE SENSOR SHOULD BE MOUNTED HIGHER THAN THE VACUUM SOURCE AND IT IS RECOMMENDED THAT THE VACUUM SOURCE BE UP STREAM OF THE EXHAUST GAS RECIRCULATION VALVE. CONNECTING TUBE NOT TO SAG BELOW HORIZONTAL. 250 MAXIMUM TUBE LENGTH.

SCALE 2/1 DIST 04

DELPHI
Automotive Systems

METRIC \leftarrow mm \rightarrow
UNLESS OTHERWISE SPECIFIED; ALL DIMENSIONS ARE IN MILLIMETERS, AND THE TOLERANCES ARE:
ONE PLACE DECIMALS \pm 0.7
TWO PLACE DECIMALS \pm 0.35
ANGLES \pm 4°
DRAFT ANGLES = 4°
SHARP CORNERS = R 0.50

GD&T SEE ASME Y14.5M-94 FOR GD&T INTERPRETATION
PDM CHANGES ALLOWED ONLY BY PDM DOCUMENT PROCEDURES
UG DO NOT SCALE \oplus THIRD ANGLE PROJECTION

FIRST USED 09350899	DES PATRICK A. DAVIS	16MY97
REFERENCE ISUZU	APR R. LONGSTREET	11JA01
EXP MODEL	APR R. MAITLAND	11JA01
EXP NUM	APR B. MUMMERT	11JA01
	APR C. JOHNSON	11JA01
	APR N/A	

RESTRICTED AND REPORTABLE CHEMICALS PER GM1000M

KEY PRODUCT CHARACTERISTICS

∇ SAFETY/COMPLIANCE \diamond FIT/FUNCTION

TOTAL ON DRAWING	1
LAST NUMBER USED	1

MATERIAL SPEC

DRAWING NAME
OUTLINE -P/SNSR, TURBO

PART NUMBER 09350899	SHT 1 OF 1
-------------------------	---------------

DELPHI DELCO ELECTRONICS SYSTEMS
Division of DELPHI AUTOMOTIVE