

VARIOHM EUROSENSOR CONTACTLESS TPS-500



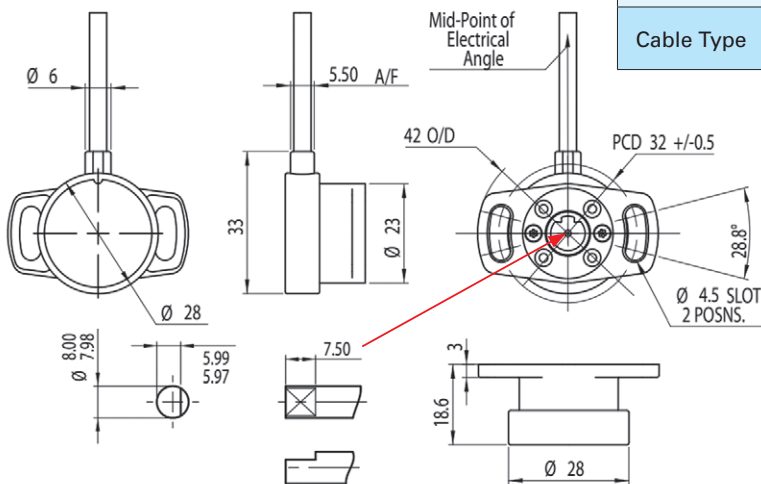
MECHANICAL	
Typical Life Cycle	>50 million movements (restriction by mechanics)
Torque	<0.1 Ncm
Measuring Range	360° Redundant, Signal 1 CW, Signal 2 CCW
Housing	High-grade temperature resistant plastic
D-Shaft	Nylon 66



ENVIRONMENTAL	
Operating Temperature	-40°C to +125°C (Short Term 150°C)
Vibration	5...2000Hz; Amax = 0.75mm; Amax = 20g to IEC 60068-2-6
IP Rating	IP68 (minimum)

ELECTRICAL	
Supply Voltage	5V +/- 0.5V
Output Signal	Ratiometric 5%...95% of supply (+/-25mv of specified electrical output range for both start and end voltage)
Independent Linearity	+/- 0.5% of each signal range
Isolation Resistance	200 MΩ (500 VDC, 1 bar, 2s)
Cable Type	Raychem Spec 55, 24 AWG; Sleeving - Raychem DR25

DIMENSIONS (MM)

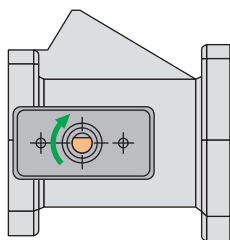


CONNECTOR KIT

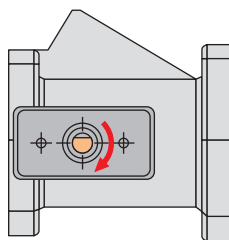
CPS-126 included



TPS MOUNTING & WIRING



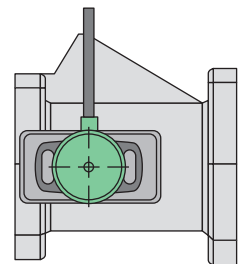
THROTTLE SHAFT ROTATES CLOCKWISE FROM CLOSED TO OPEN.



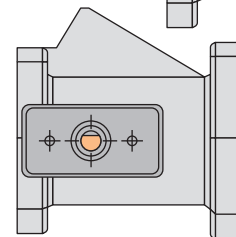
THROTTLE SHAFT ROTATES COUNTER-CLOCKWISE FROM CLOSED TO OPEN.

WIRING FOR CLOCKWISE ROTATION FROM CLOSED TO OPEN		
Green		+5V
Yellow		Signal
Blue		Ground

WIRING FOR COUNTER-CLOCKWISE ROTATION FROM CLOSED TO OPEN		
Red		+5V
White		Signal
Black		Ground



TPS Mounting Orientation.



D-Shaft orientation at CLOSED THROTTLE (Flat at top of shaft)



raceworks.com.au



GetRealAutoParts.com.au